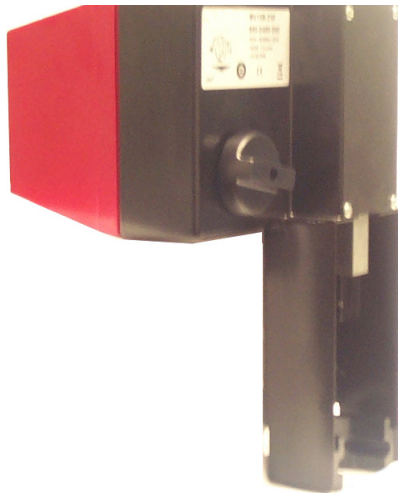


MV15B-24/MV15B-230



3 Points 24 Vac or 230 Vac Actuator for Valves

MV15B-24 and MV15B-230 are 3-point floating (increase/decrease) actuators for the control of two-way and three-way globe valves in:

- heating systems
- air handling systems

It is easy to mount and connect the actuator. It can be mounted directly onto TAC's control valves, without any mounting kit.

For Satchwell valves a linkage is included (see PART NUMBERS on this page).

The working range of the actuator is adjusted automatically depending on the stroke of the valve by means of switches actuated by a limit torque mechanism.

The actuator is supplied either 24 V AC or 230 V AC.

SPECIFICATIONS

Part numbers	see the table on this page
Supply voltage	24 V AC ±10%, 50–60 Hz 230 V AC ±10%, 50–60 Hz
Power consumption	12 VA
Transformer sizing	15 VA
Running speed	0.75 mm/s (0.03 in/s)
Running time for 20 mm (0.78 in.)	27 s
Stroke	9-45 mm (0.35 - 1.8 in.)
Thrust.	1500 N (337 lbf.)
Ambient temperature	
Operation	-15 – +50 °C (5°F - 122°F)
Storage	-25 – +65 °C (-13°F - 149°F)
Enclosure rating	IP 55

Standards

Emission.	EN 50081-1:1992
Immunity	EN 50082-1:1992
Heat	IEC-68-2-2
Humidity.	IEC-68-2-3
Cold	IEC-68-2-1

Material

Housing	aluminium
Cover	ABS plastic
Color	black/red
Weight	3 kg (6.60 lb.)
Dimensions (mm) refer to the table on the next page	

Optional auxiliary travel switch S2-MV15B

Type	SPDT 10A (inductive) 3A (resistive)
Capacity.	250 V

SPECIFICATION REFERENCE

Designation	Explanation	Part Number
MV15B-24	Increase/Decrease (3 point floating) 24 Vac	880-0462-000
MV15B-230	Increase/Decrease (3 point floating) 230 Vac	880-0460-000
MV15B-24+L7SV	Increase/Decrease 24 Vac including linkage for Satchwell valves	880-0662-000
MV15B-230+L7SV	Increase/Decrease 230 Vac including linkage for Satchwell valves	880-0660-000

DIMENSIONS mm (in)

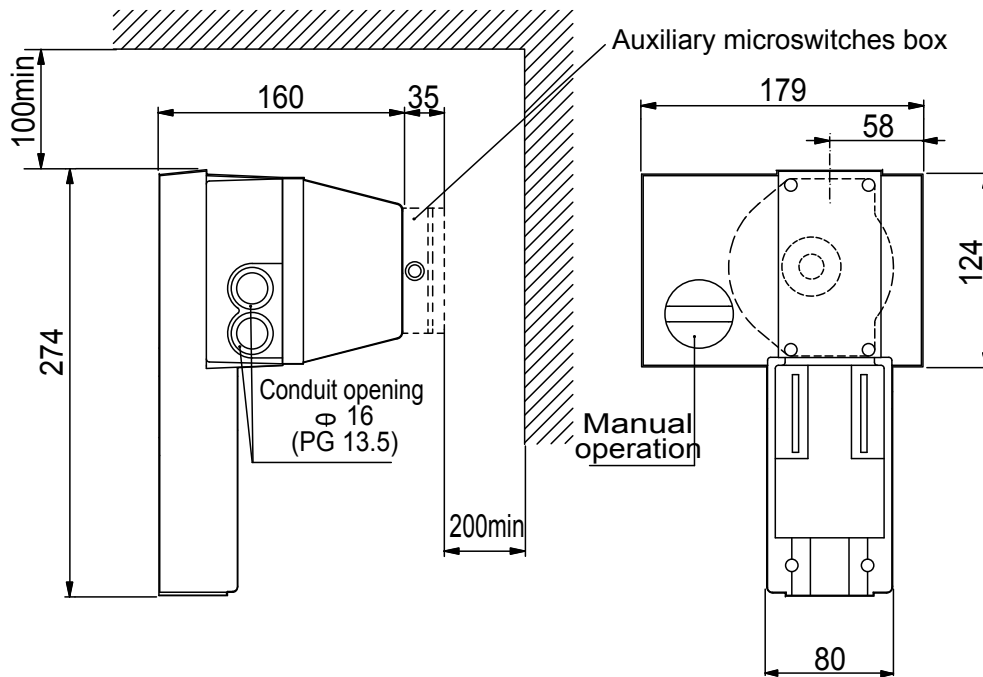


Fig 1

FUNCTION

The actuator

Actuators are fitted with an asynchronous bidirectional motor.

A torque limit device makes the actuators self-adjusting on valves with a different stroke.

Manual operation

Power off the actuator before using the manual override knob.

The knob has to be pushed while turning it.

Auxiliary Switches

An external auxiliary microswitches box is optionally available (order separately) and it has to be mounted as shown in fig.1.

It contains two switches and both can be registered to switch in any position on the stroke.

MOUNTING

The actuator can be mounted in the positions shown in Fig. 2.

For fluids over 150°C avoid mounting the actuator in vertical position on the valve so as to avoid the direct exposure to heat sources.

For valve mounting, follow the assembly instruction inside the package.



Hot media hazard. Before removing actuator from valve or opening the valve, ensure that the valve control medium is isolated and relieve the pressure. Work should only be carried out by a competent engineer.

MOUNTING

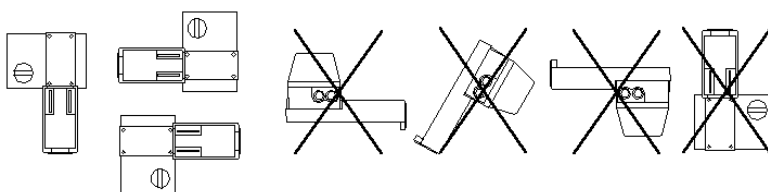
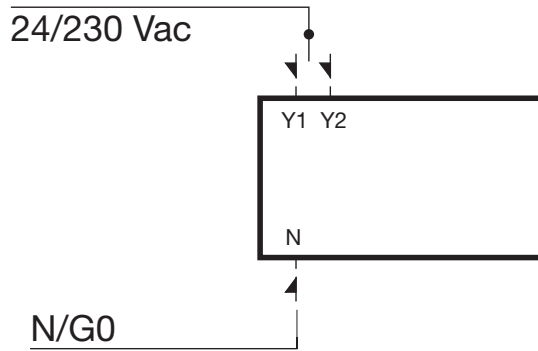


Fig 2

CONNECTIONS



Power supply control: N-Y1 Stem moves upwards, N-Y2 Stem moves downwards

MAINTENANCE

The actuator is maintenance-free.

ACCESSORIES

S2-MV15B	880-0469-000
Linkage Satchwell valves L7SV	880-0126-000

See data sheet "Valves and actuators Summary"
(F-10-06)